

Improving reliability of IRR database

The University of Tokyo  
Kengo Nagahashi (kenken@elab.ic.i.u-tokyo.ac.jp)

Nara Institute of Science and Technology  
Masashi Eto (masash-e@is.nist-nara.ac.jp)

JPNIC IRR Planning Team

2003/8/15 1

---

---

---

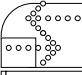
---

---

---

---

---



Research Activity of JPIRR

- Nagahashi
  - Prefix Validation using IRR Database
- Eto
  - Improvement of consistency among AS policies on IRR database
- Our goal is
  - Improving reliability of IRR database
    - More widespread use of IRR

2003/8/15 2

---

---

---


---

---

---

---

---



Prefix Validation using IRR Database

The University of Tokyo  
Kengo Nagahashi (kenken@elab.ic.i.u-tokyo.ac.jp)

2003/8/15 3

---

---

---

---

---

---

---

---

### Background

- One of severe problems in Inter-domain routing;
  - Hijacking prefix (black hole)
- Why happen?
  - One AS propagates invalid origin prefix

2003/8/15 4

---

---

---

---

---

---

---

---

### Counter major Approach

- Authenticate prefix in BGP update
  - BGP Routers exchange Certificate
  - Candidates: sBGP, soBGP
- Problem
  - Take long time solution
  - Heavy protocol:
    - To verify certificate per one prefix
    - BGP holds over 120,000 prefixes...

2003/8/15 5

---

---

---

---

---

---

---

---

### Motivation

- To check a correct prefix by lightweight and simple
  - What to “check” ?
    - To identify invalid origin prefix
    - To use certificate is too heavy (same as sBGP, soBGP)
  - How to verify?
    - Using IRR Database

2003/8/15 6

---

---

---

---

---

---

---

---

## Approach

(1) Download request for DB (once a day)

(2) Response prefix/origin-as pairs

(3) Comparison with (1) and (2)

Example:

```
#show invalid route
Network      origin  origin in DB
199.31.20.0/24 2400    568
```

- Using IRR as Database

2003/8/15 7

---

---

---

---

---

---

---

---

## simple protocol

- Download
  - Router requests Download to DB
  - Frequency is once a day
- Response
  - DB responses to router
  - Response prefix/origin-as pairs which stores in DB

2003/8/15 8

---

---

---

---

---

---

---

---

## Problems to be solved

- Future Work
  - Router Overhead
    - To hold 120,000 prefix/origin-as pairs is overhead?
  - Utilization of IRR
    - All entries are registered in IRR database?
  - Duration of update
    - Is Once a day too long ?

2003/8/15 9

---

---

---

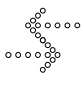
---

---

---

---

---



Consistency Check among AS policies

Nara Institute of Science and Technology  
Masashi Eto (masash-e@is.aist-nara.ac.jp)

2003/8/15 10

---

---

---

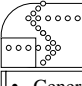
---

---

---

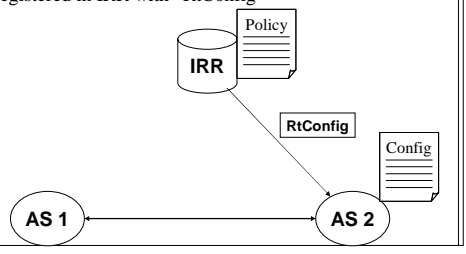
---

---



auto-configuration with IRR

- Generate router configuration from routing policy registered in IRR with "RtConfig"



2003/8/15 11

---

---

---

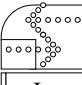
---

---

---

---

---



Consistency among AS policies

- Inconsistencies
  - Inconsistency of import in routing information
  - Inconsistency of export in routing information
- As a result
  - When we generate the router configurations from IRR database, the connectivity between peering ASes will be lost.
- IRR inspects only policy's syntax.
  - **Need to inspect policy's semantics**

2003/8/15 12

---

---

---

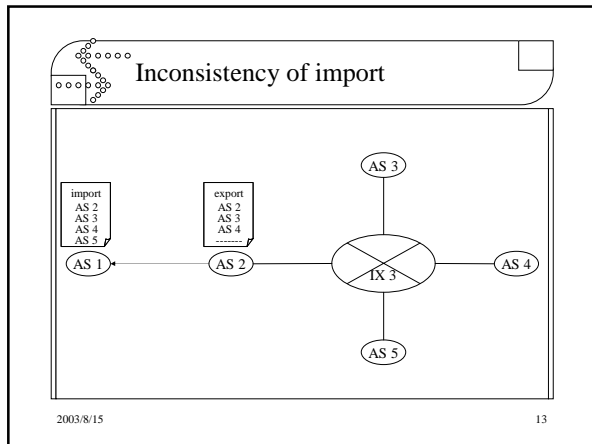
---

---

---

---

---




---

---

---

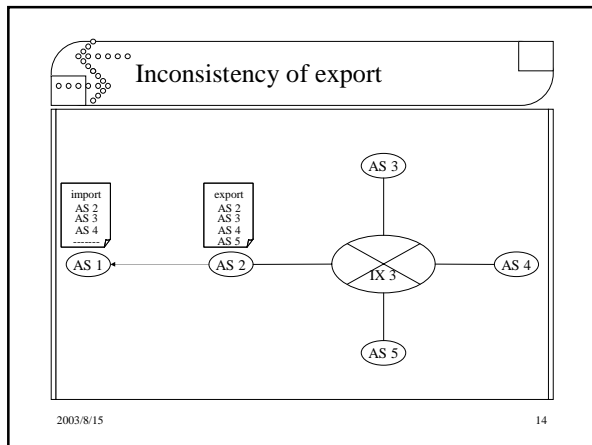
---

---

---

---

---




---

---

---

---

---

---

---

---

### Classification of Inconsistencies

Inconsistencies of import	Peer AS-SET doesn't exist on IRR database
	Peer AS doesn't exist on IRR database
	Peer AS doesn't export any route to the AS
	Peer AS doesn't export route which the AS imports
Inconsistencies of export	Peer AS-SET doesn't exist on IRR database
	Peer AS doesn't exist on IRR database
	Peer AS doesn't import any route from the AS
	Peer AS doesn't import route which the AS exports

2003/8/15 15

---

---

---

---

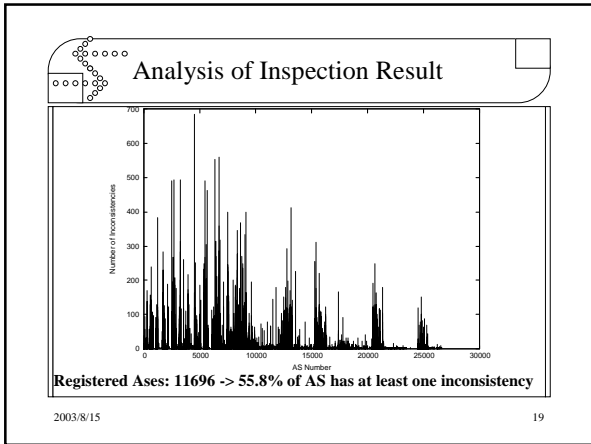
---

---

---

---






---

---

---

---

---

---

---

---

---

---

### Detail of Inconsistencies

Classification	Number	Rate
Peer AS-SET doesn't exist on IRR database	482	0.2 %
Peer AS doesn't exist on IRR database	7,971	4.0 %
Peer AS doesn't exist export any routes to the AS	36,333	18.6 %
Peer AS doesn't import any routes from the AS	34,710	17.8 %
Peer AS doesn't export route which the AS imports	11,436	5.8 %
Peer AS doesn't import route which the AS exports	17,753	9.1 %
<b>Total</b>	<b>108,685</b>	<b>55.8 %</b>

- Rate of each inconsistency in all 194,820 import and export sentences

2003/8/15 20

---

---

---

---

---

---

---

---

---

---

- ### Future Work
- Deploy Policy Checker on JPIRR.
  - Implement a function to notify result of investigation to JPIRR users periodically.
- 2003/8/15 21

---

---

---

---

---

---

---

---

---

---